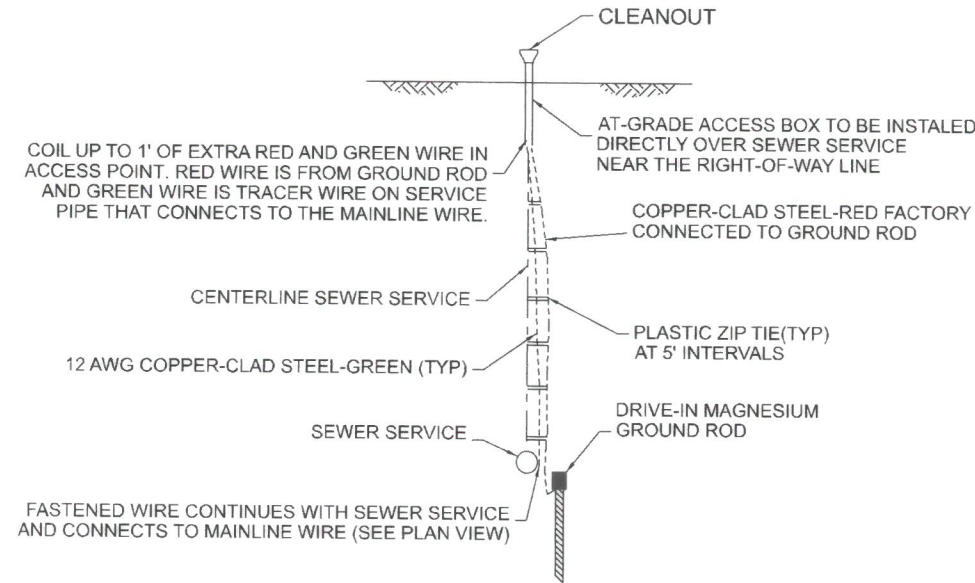


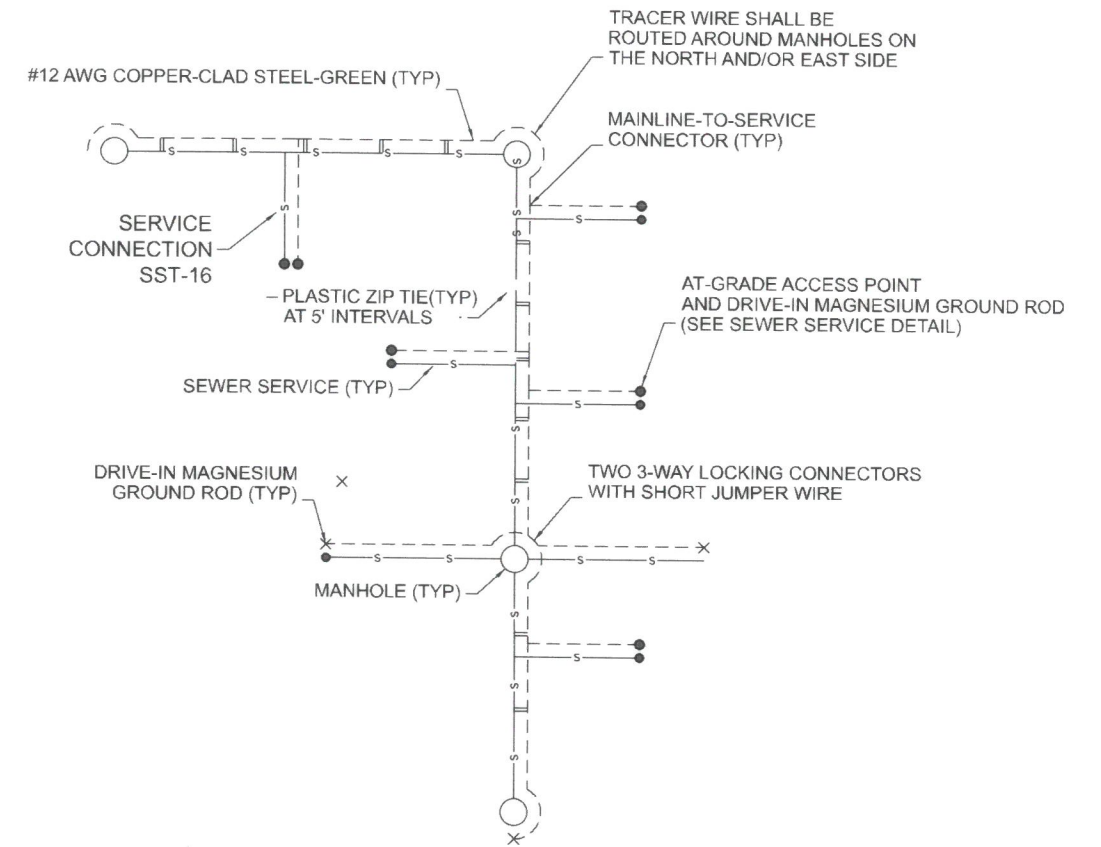
NOTE 1:

1. WIRE SHOWN AWAY FROM PIPE FOR CLARITY.
2. WIRE SHALL BE INSTALLED IMMEDIATELY ADJACENT TO THE SERVICE PIPE.
3. THE WIRE SHALL BE FASTENED TO THE PIPE AND SERVICE CONNECTION WITH PLASTIC TIES AT 5' INTERVALS.

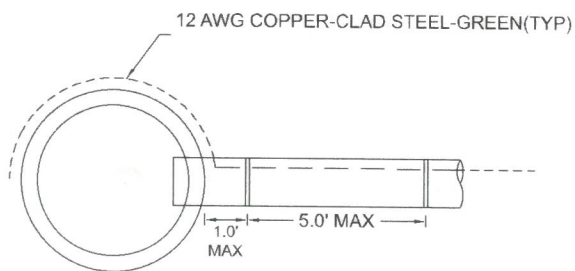
SEWER SERVICE CONNECTION (SST-16) - PLAN VIEW
NO SCALE



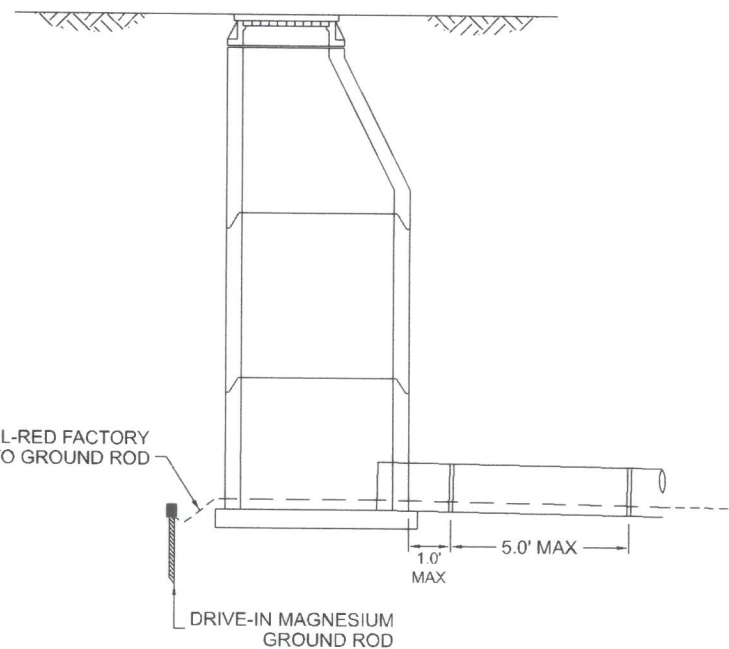
SEWER SERVICE CONNECTION (SST-16) - SECTION VIEW
NO SCALE



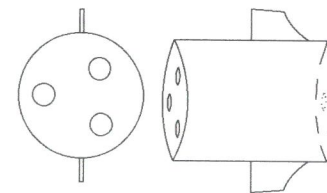
SAMPLE PLAN (SEWER)
NO SCALE



SEWER MANHOLE - PLAN VIEW
NO SCALE



SEWER MANHOLE - SECTION VIEW
NO SCALE



LOCKING CONNECTOR
NO SCALE

NOTE 2:

ALL TWO-TERMINAL TRACER WIRE ACCESS POINTS MUST INCLUDE A MANUALLY INTERRUPTIBLE CONDUCTIVE/ CONNECTIVE LINK BETWEEN THE TERMINAL FOR THE TRACER WIRE CONNECTION AND THE TERMINAL FOR THE GROUND ROD WIRE CONNECTION. ALL AT-GRADE ACCESS POINTS SHALL INCLUDE AN ENCAPSULATED MAGNET MOLDED INTO THE TOP PORTION OF THE TUBE, TO ALLOW FOR DETECTION BY A FERROUS METAL DETECTOR. ON BOTH PUBLIC AND PRIVATE PROPERTIES, TRACER WIRE SHALL TERMINATE AT AN APPROVED AT-GRADE, TWO-TERMINAL ACCESS BOX NEAR THE SEWER CLEAN-OUT.

NOTE 3:

FOR SEWER LINES OVER 500 LINEAR FEET WITHOUT SERVICE LATERALS, TRACER WIRE ACCESS MUST BE PROVIDED UTILIZING AN APPROVED GRADE LEVEL/IN-GROUND TRACER WIRE ACCESS BOX, LOCATED AT THE EDGE OF THE ROAD RIGHT-OF-WAY, AND OUT OF THE ROADWAY. THE GRADE LEVEL/IN-GROUND TRACER WIRE ACCESS BOX SHALL BE DELINEATED USING A MINIMUM 48" POLYETHYLENE MARKER POST, GREEN IN COLOR. ALL AT-GRADE ACCESS POINTS SHALL BE SUPPLIED WITH ANTI-CORROSION WAX-GEL TO PROTECT WIRES.

CITY OF MEMPHIS
DIVISION OF ENGINEERING

DESIGN STANDARD
FOR
TRACER WIRE

hig
Choo Chew
DEPUTY CITY ENGINEER
WB 4/29/22
CITY ENGINEER

4/29/22
DATE
4/29/22
DATE