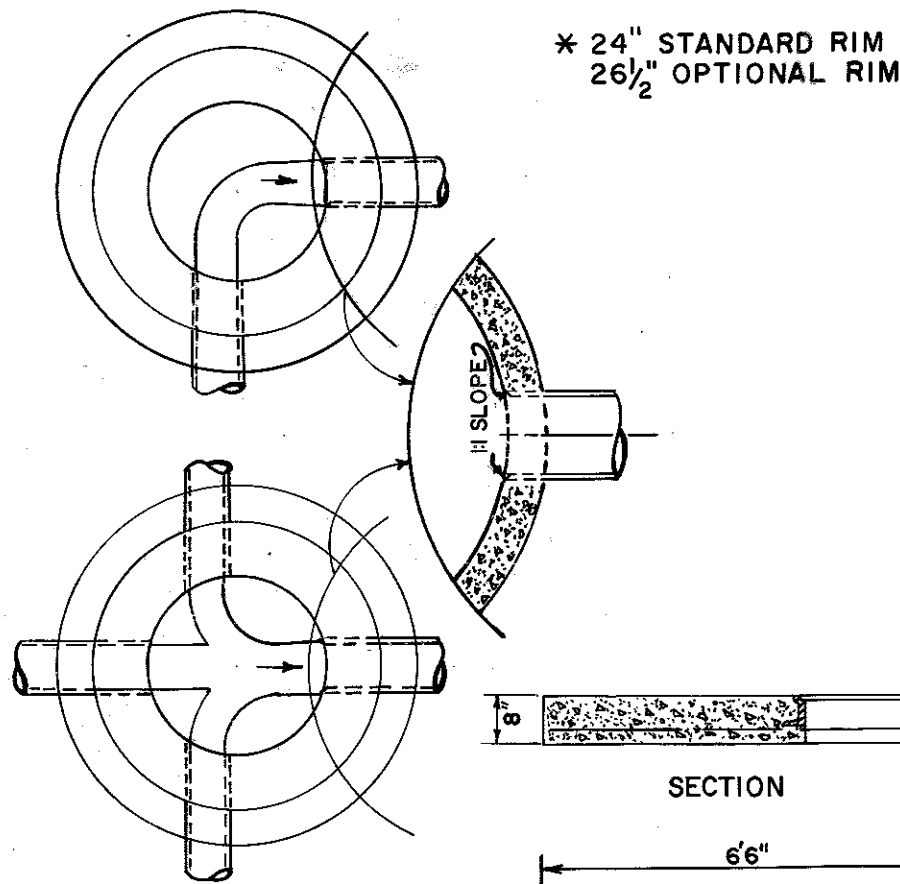
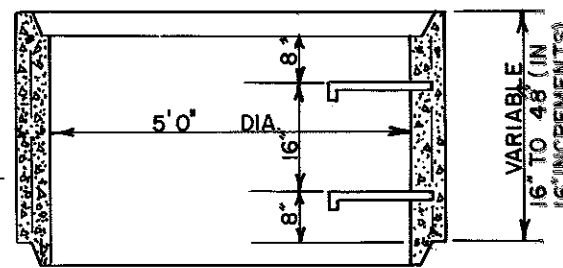
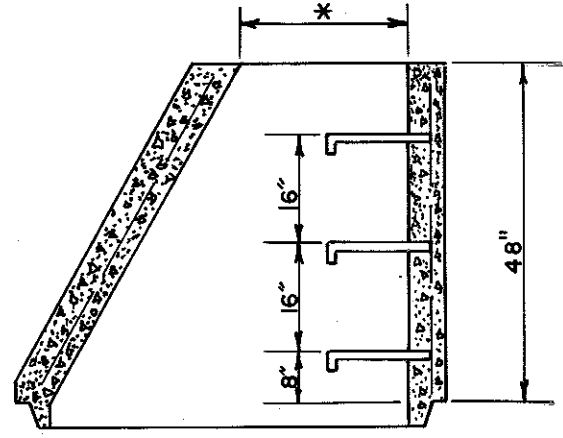
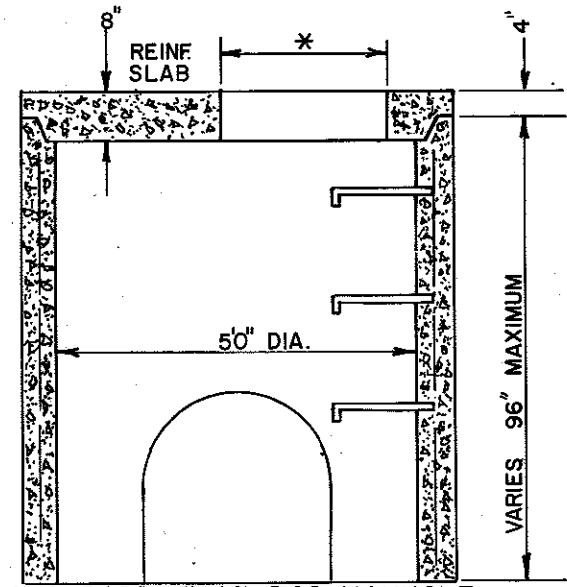


NOTE: PIPE OFF CENTER. EXACT LOCATION TO BE DETERMINED IN FIELD

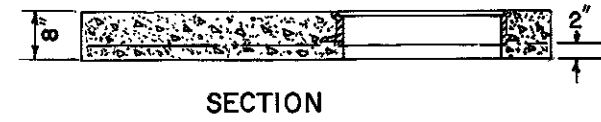


* 24" STANDARD RIM
 26 1/2" OPTIONAL RIM



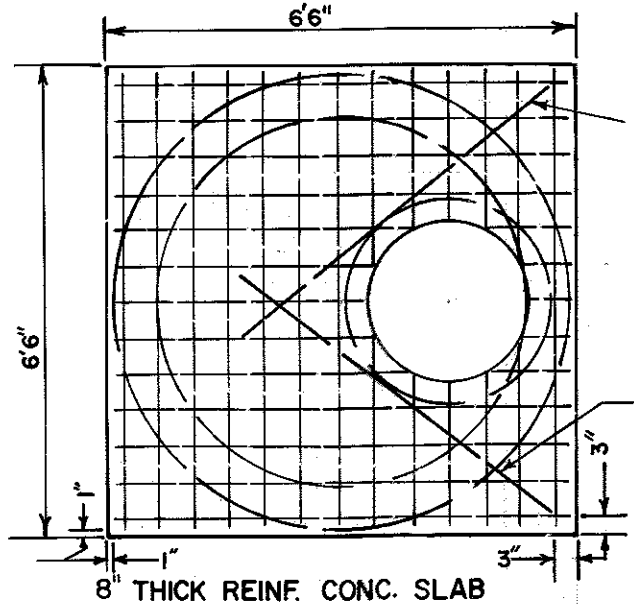
STANDARD FLAT TOP MANHOLE

NOTE:
 JOINT SEALANT CONCRETE MORTAR SHALL BE USED TO SEAL JOINTS AFTER THE INSTALLATION OF AN APPROVED GASKET BETWEEN ALL PRECAST MANHOLE SECTIONS.



SECTION

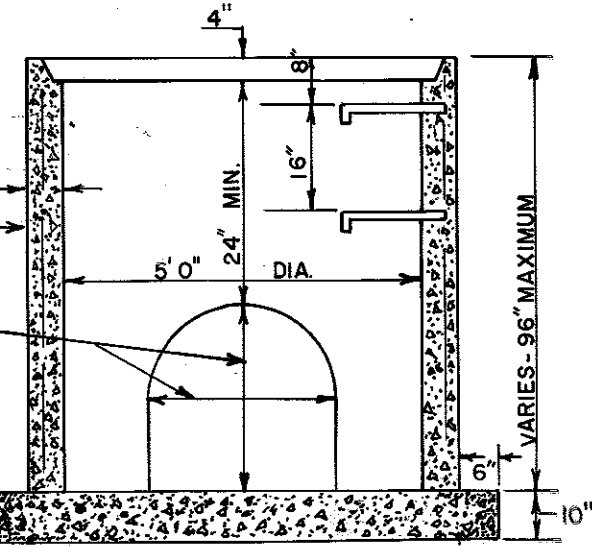
TYPICAL PLANS



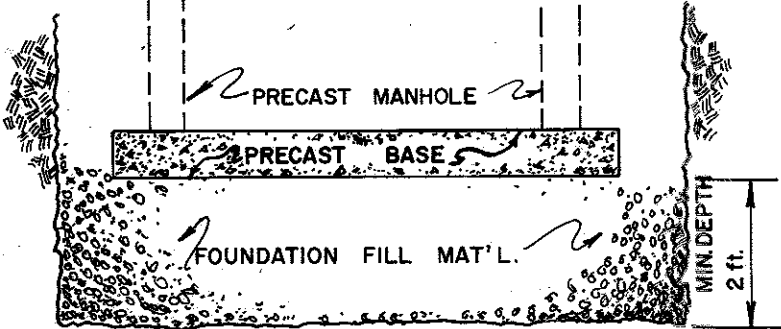
A CONCRETE SLAB 8" THICK (WITH MANHOLE FRAME LOCATED ECCENTRICALLY IN SLAB) REINFORCED WITH #4 DEFORMED STEEL BARS 2" FROM BOTTOM OF SLAB AND SPACED 6" C-C BOTH LONGITUDINALLY AND TRANSVERSELY. SLAB TO BE BUILT TO BASE OR PAVEMENT GRADE

WALL THICKNESS EQUALS PIPE DIA. (IN FT.) + 1"

- CUT-OUT SIZES
- 1 1/2" PIPE - 22" CUT-OUT
 - 1 8" PIPE - 27" CUT-OUT
 - 2 4" PIPE - 36" CUT-OUT
 - 3 0" PIPE - 44" CUT-OUT
 - 3 6" PIPE - 50" CUT-OUT



STANDARD ECCENTRIC CONC. RISER SECTION, BASE SECTION AND BASE



REVISIONS

NO.	DATE	BY	REMARKS
1	5-30-85	L.R.H.	REMOVED DIV. OF PUBLIC WORKS (T. BLK.)
2	7-24-87	D.H.G.	ADD: #5 BAR; #4
3	2-3-88	D.H.G.	REMOVED DEPARTMENT (T. BLK.)
4	2-14-11	L.R.H.	REVISED M.H. OPENING

CONVERSIONS

ENGLISH	METRIC

GENERAL NOTES

THIS MANHOLE WILL CONFORM TO THE STANDARD DRAWING UNLESS OTHERWISE SHOWN OR DIRECTED BY THE ENGINEER TO MEET SPECIAL CONDITIONS THERE WILL NO VARIATION FROM THE CONTRACT PRICE DUE TO SUCH CHANGES. IN ALL CASES IT MUST BE BUILT LARGE ENOUGH TO ACCOMMODATE INLET AND OUTLET PIPES.

THE PRECAST CONCRETE MANHOLE SHALL MEET THE REQUIREMENT AND SPECIFICATION SET OUT IN A S T M- C478, LAST REVISION

ALL CONCRETE FOR MASONRY TO BE CLASS "A"

CITY OF MEMPHIS
 DIVISION OF ENGINEERING

**DESIGN STANDARD
 FOR
 PRECAST MANHOLE**

Ray Mason 10-29-79
 PRINCIPAL CIVIL ENGINEER

J.P. Farmer Jr. 10-29-79
 DEPUTY DIRECTOR/CIVIL ENGINEER DATE